

Free Standing CNC Control Enclosure Starting at \$1,495



Free Standing Enclosure and Hand Held Pendant: \$2,595*

Free Standing Enclosure (can be sold separately): \$1,495*

Hand Held Pendant (can be sold separately): \$1,295*

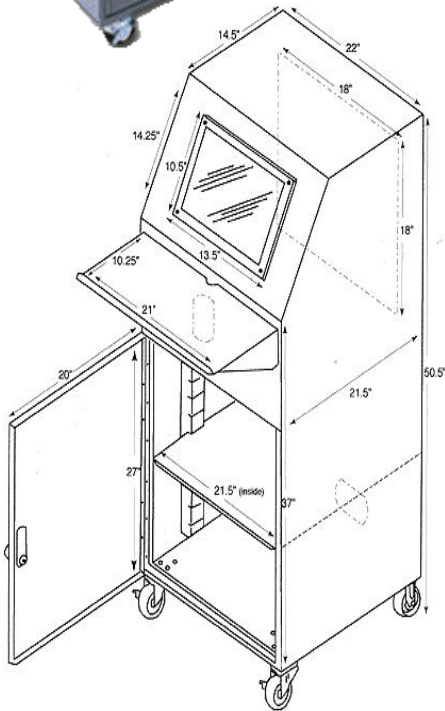
*Computer, Software, Motion card, Terminal strip, Enclosure, Pendants, Motors and Digital I/O are sold separately. Please inquire on the over 55 combinations of hardware / software choices that we offer. We will advise you after listening to your requirements for the application.

Free Standing Enclosure Features:

- Nema 12 Sealed Computer Enclosure
- Large angled viewing portal
- Dimensions: Height 48" Width 22" Depth 22"
- 4 wheels
- Positive airflow filter
- Keyboard shelf
- Large cabinet for computer, amps and power supply
- Internal Shelf
- Locked front access door
- Great against dirt, water, heat and cold

Hand Held Pendant Features:

- Dimensions: Height 9 ¼" Width 5" Depth 1 ½"
- Cycle Start
- Single step mode
- FeedHold
- Emergency Stop
- Axes jogging with incremental control
- A hand wheel for manual tool setting and jogging
- Feed and Speed override pots, from 0 to 200%
- Digitize/Teaching button
- Toggling the coolant on and off
- Send the tool to 0,0
- Send the tool home
- Setting tool offsets
- 2 extra I/O buttons for integrator definition
- 25 foot cable



For Specs

www.cncontrols.com/hhpendant.asp